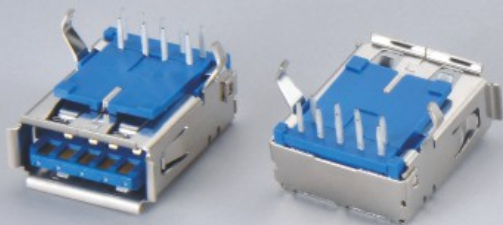


USB 3.0 RIGHT ANGLE TYPE (A TYPE)



NOTE:

1.MATERIAL:

FRONT HOUSING: PBT,UL 94V-0,COLOR:BLUE

COVER: PBT, UL 94V-0, COLOR: BLUE

CONTACT: 5PIN C2680, T=0.20±0.02

4PIN C5191, T=0.20±0.02

SHELL: K7, T=0.30±0.02

2.FINISH:

CONTACT: GOLD FLASH GOLD PLATING ON CONTACT

AREA 120μ" MIN TIN LEAD-FREE PLATING ON SOLDERTAILS

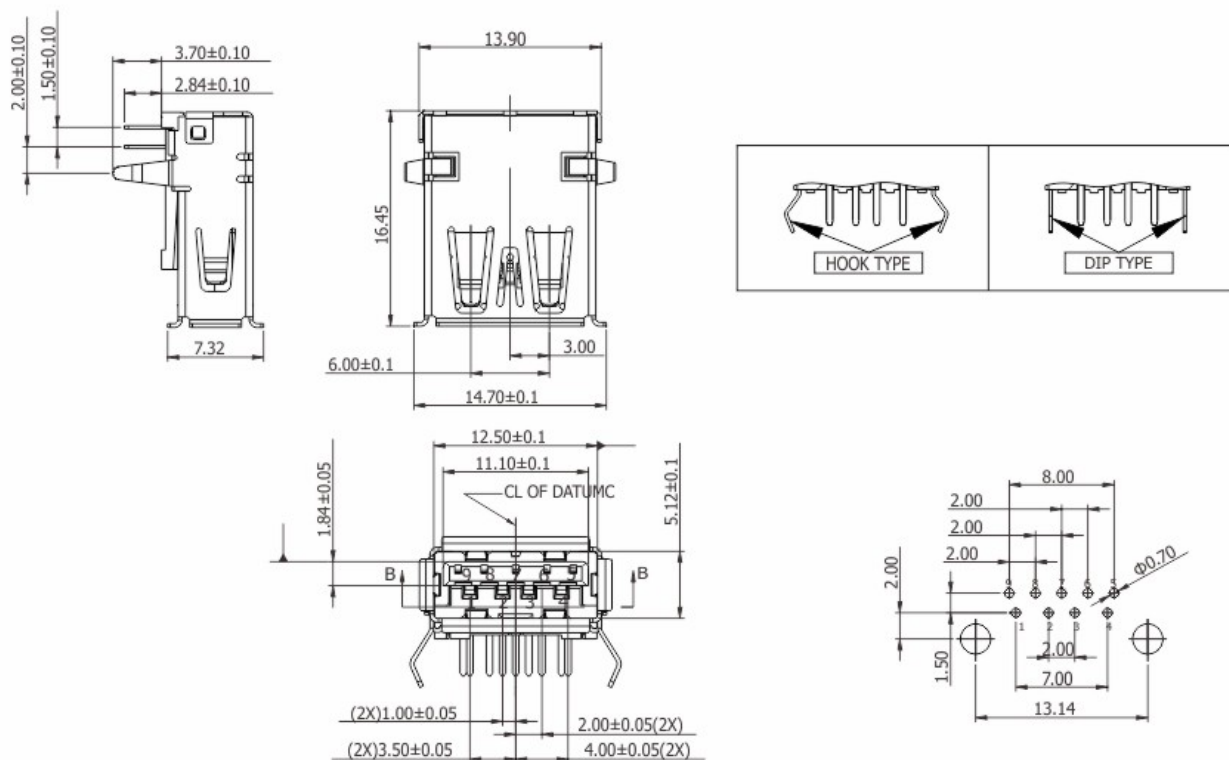
50μ" MIN NICKEL UNDERPLATING OVER ALL

SHELL: 80μ" MIN Nickel

3.ELECTRICAL

GND PIN (PIN1, PIN4)

0.25A APPLIED TO ALL OTHER PINS (PIN2,PIN3,PIN5,PIN6,PIN7,PIN8,PIN9)



Ordering Information

184g - XX X X X X X
a b c d e f

a. No. Of Pins
09: 09 positions

b. Contact Type
2: Female

c. Contact Plating
0: Gold flash selective gold
1: 5μ" selective gold over 100μ" nickel
2: 15μ" selective gold over 100μ" nickel
3: 30μ" selective gold over 100μ" nickel

d. Shell Plating
1: Nickel

e. Insulator Color
2: Blue

f. Type
1: DIP TYPE
2: HOOK TYPE

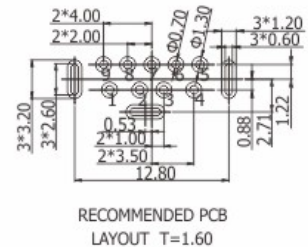
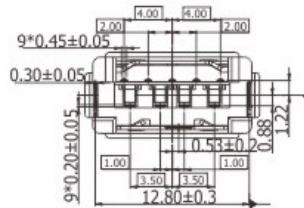
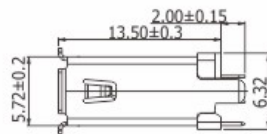
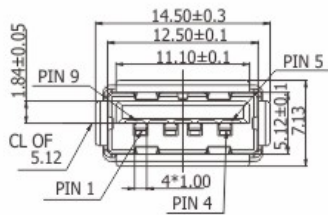
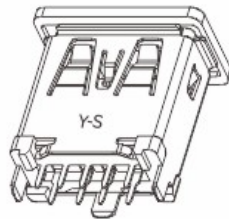
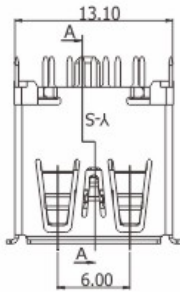
USB 3.0 STRAIGHT TYPE(A TYPE)



PRODUCT SPECIFICATION

Material:
 PLASTIC: Glass-Filled Thermoplastic
 high temperature LCP
 G/F 30% color:BLACK(Pantone 300C)
 SHELL: SUS 430,
 CONTACT: BRASS
 PLATING:
 SHELL:HOOK PLATING 80 μ " Ni,
 OTHER AREA PLATING 40 μ " Ni.
 TERMINAL: Contact Plating: 2 μ " gold
 and 30 μ " PdNi over 100 μ " Nickel min.
 Solder Tail: 150 μ "min Tin over 100 μ "
 Nickel min.
 ELECTRICAL
 VOLATAGE CURRENT RATING:
 100V AC (RMS) 1.8A APPLIED TO

VBUS PIN
 AND ITS CORRESPONDING GND PIN
 (PIN1,PIN4)
 0.25A APPLIED TO ALL OTHER PINS
 (PIN2,PIN3,PIN5,PIN6,PIN7,PIN8,PIN
 9)
 INSULATION RESISTANCE: 100
 MEGAOHMS MIN
 CONTACT RESISTANCE: 30m Ω MAX
 FOR VBUS PIN AND GND PIN
 CONTACTS
 50 m Ω MAX FOR ALL OTHER
 CONTACTS
 DIELECTRIC WITHSTANDING
 VOLTAGE: 100V/AC
 TEMPERATURE RATING:-20 $^{\circ}$ C~
 +85 $^{\circ}$ C



Ordering Information

184H - XX X X X X X
 a b c d e f

a. No. Of Pins
 09: 09 positions

b. Contact Type
 2: Female

c. Contact Plating
 0: Gold flash selective gold
 1: 5 μ " selective gold over 50 μ " nickel
 2: 15 μ " selective gold over 50 μ " nickel
 3: 30 μ " selective gold over 50 μ " nickel
 5: 2 μ " selective gold and 30 μ "
 PdNi over 100 μ " nickel

d. Shell Plating
 1: Nickel

e. Insulator Color
 1: Blue(high temperature)
 2: Blue
 3: BLACK(high temperature)

f. Contact Type(Signal Pin)
 1: DIP TYPE

USB 3.0 STRAIGHT TYPE(A TYPE)



NOTE:

1.MATERIAL:

FRONT HOUSING: Glass-Filled Thermoplastic PBT, UL 94V-0, COLOR: BLUE

COVER: Glass-Filled Thermoplastic PBT, UL 94V-0, COLOR: BLUE

CONTACT: 5PIN C2680, T=0.20±0.02

4PIN C5191, T=0.20±0.02

SHELL: STEEL, T=0.30±0.02

2.PLITING:

CONTACT: 30μ" MIN. GOLD PLATING ON CONTACT AREA

120μ" MIN. TIN LEAD-FREE PLATING ON SOLDER TAILS

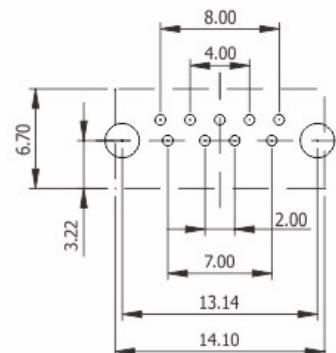
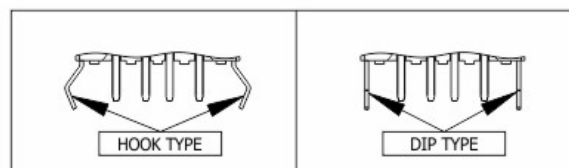
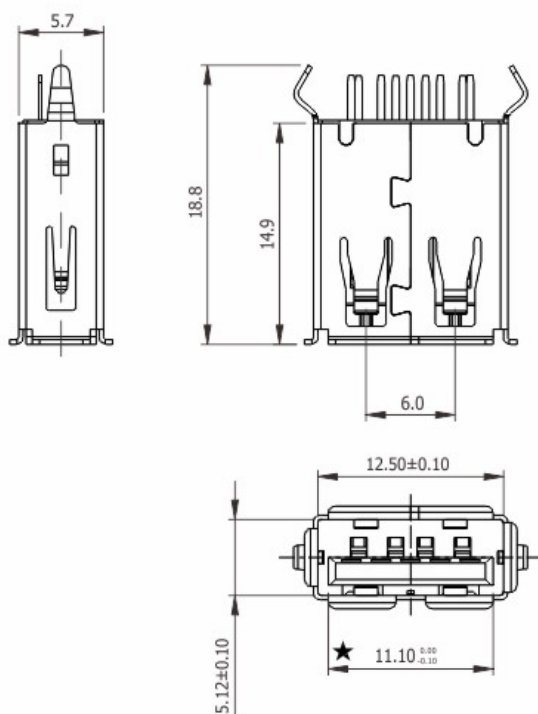
50μ" MIN. NICKEL UNDERPLATING OVER ALL

SHELL: 80μ" MIN Nickel

3.ELECTRICAL

GND PIN (PIN1,PIN4)

0.25A APPLIED TO ALL OTHER PINS (PIN2,PIN3,PIN5,PIN6,PIN7,PIN8,PIN9)



P.C.B LAYOUT

Ordering Information

184H - XX X X X X X
a b c d e f

a. No. Of Pins
09: 09 positions

b. Contact Type
2:Female

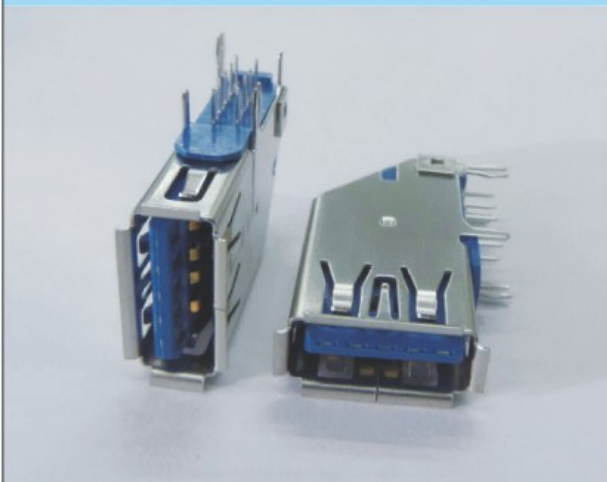
c. Contact Plating
0: Gold flash selective gold
1: 5μ" selective gold over 50μ" nickel
2: 15μ" selective gold over 50μ" nickel
3: 30μ" selective gold over 50μ" nickel

d. Shell Plating
1: Nickel

e. Insulator Color
2: Blue

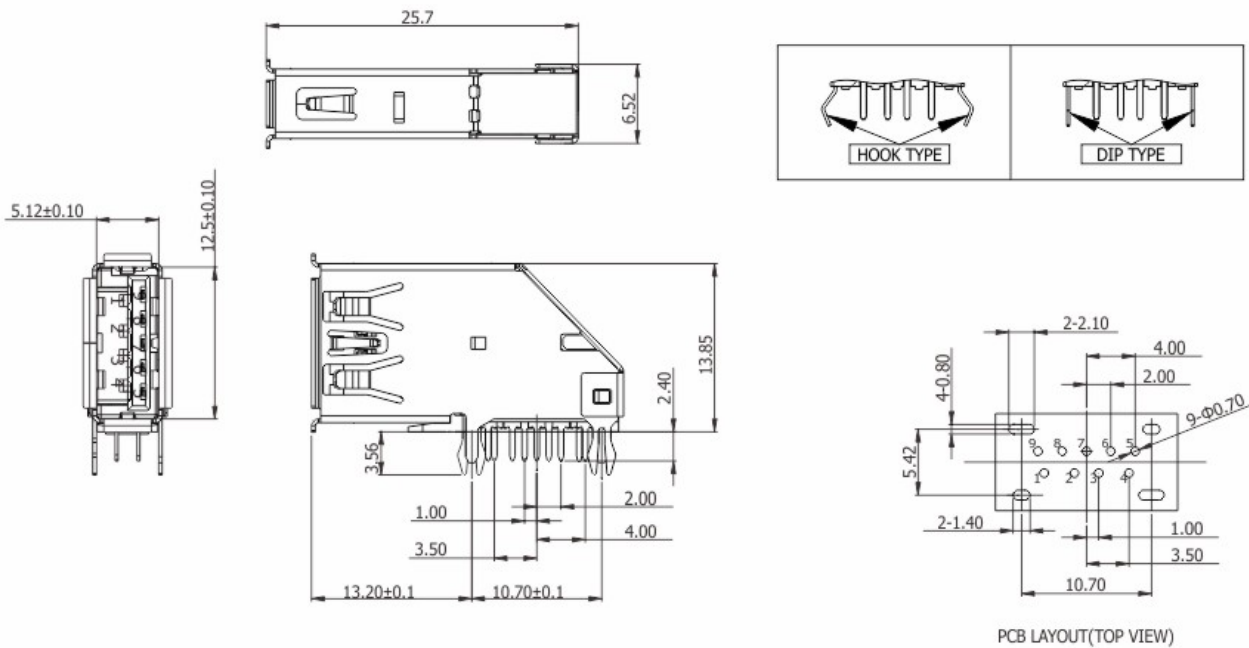
f.Contact Type
1: DIP TYPE
3: HOOK TYPE

USB 3.0 UPRIGHT RIGHT ANGLE DIP TYPE (A TYPE)



NOTE:
 1.MATERIAL:
 MODINGHOSING FOR 4PIN:
 INSERTMOLDING 4PIN
 INSULATION: PBT, UL 94V-0,
 COLOR: BLUE 300C
 MODINGHOSING FOR 5PIN:
 INSERTMOLDING 5PIN
 INSULATION: PBT, UL 94V-0,
 COLOR: BLUE 300C
 CONTACT: 5PIN
 C2680,T=0.25±0.02
 4PIN C5191,T=0.25±0.02
 SHELL: SUS 304 ,T=0.30±.02
 2.FINISH:
 CONTACT: 30μ" MIN. GOLD
 PLATING ON CONTACT AREA

120μ" MIN. TIN LEAD-FREE
 PLATING ON SOLDERTAILS
 50μ" MIN. NICKEL
 UNDERPLATING OVER ALL
 SHELL: 80μ" MIN Nickel
 3.ELECTRICAL
 VOLATAGE CURRENT RATING:
 100V AC/DC 1.8A APPLIED TO
 VBUS PIN AND ITS
 CORRESPONDING GND PIN
 (PIN1,PIN4)
 0.25A APPLIED TO ALL OTHER
 PINS
 (PIN2,PIN3,PIN5,PIN6,PIN7,PIN
 8,PIN9)



Ordering Information

184K - XX X X X X X
 a b c d e f

a. No. Of Pins
 09: 09 positions

b. Contact Type
 2: Female

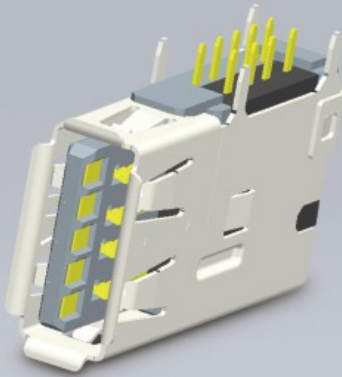
c. Contact Plating
 0: Gold flash selective gold
 1: 5μ" selective gold over 50μ" nickel
 2: 15μ" selective gold over 50μ" nickel
 3: 30μ" selective gold over 50μ" nickel

d. Shell Plating
 1: Nickel

e. Insulator Color
 1: Blue
 2: Black

f. Type
 1: DIP TYPE
 2 : HOOK TYPE

USB 3.0 UPRIGHT RIGHT ANGLE DIP TYPE (A TYPE)



NOTE:

1.MATERIAL:

MODINGHOSING FOR 4PIN:
INSERTMOLDING 4PIN

INSULATION: PBT, UL 94V-0,
COLOR: BLUE 300C

MODINGHOSING FOR 5PIN:
INSERTMOLDING 5PIN

INSULATION: PBT, UL 94V-0,
COLOR: BLUE 300C

CONTACT: 5PIN

C2680,T=0.25±0.02

4PIN C5191,T=0.25±0.02

SHELL: SUS 304 ,T=0.30±.02

2.FINISH:

CONTACT: 30μ" MIN. GOLD
PLATING ON CONTACT AREA

120μ" MIN. TIN LEAD-FREE

PLATING ON SOLDERTAILS

50μ" MIN. NICKEL

UNDERPLATING OVER ALL

SHELL: 80μ" MIN Nickel

3.ELECTRICAL

VOLATAGE CURRENT RATING:

100V AC/DC 1.8A APPLIED TO

VBUS PIN AND ITS

CORRESPONDING GND PIN

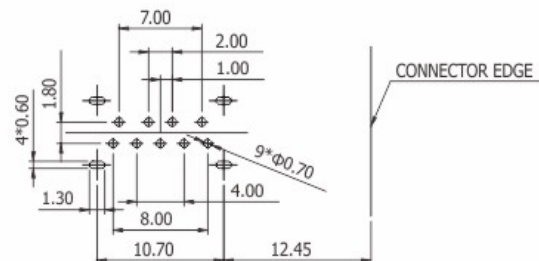
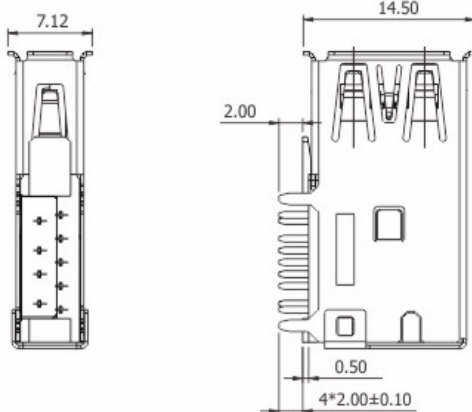
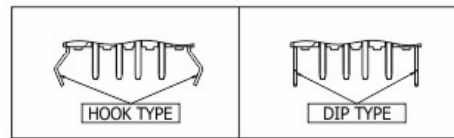
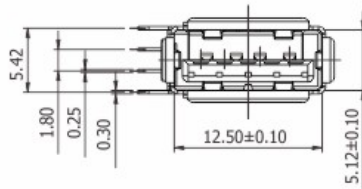
(PIN1,PIN4)

0.25A APPLIED TO ALL OTHER

PINS

(PIN2,PIN3,PIN5,PIN6,PIN7,PIN8,P

IN9)



RECOMMEND P.C.B LAYOUT

Ordering Information

184K - XX X X X X X
a b c d e f

a. No. Of Pins
09: 09 positions

b. Contact Type
2: Female

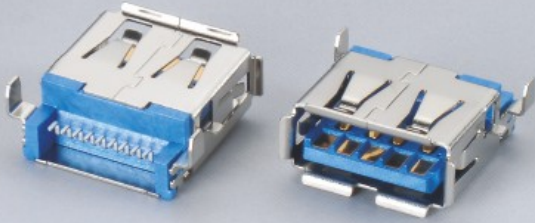
c. Contact Plating
0: Gold flash selective gold
1: 5μ" selective gold over 50μ" nickel
2: 15μ" selective gold over 50μ" nickel
3: 30μ" selective gold over 50μ" nickel

d. Shell Plating
1: Nickel

e. Insulator Color
1: Blue
2: Black

f. Type
1: DIP TYPE
2: HOOK TYPE

184g SERIES USB 3.0 AF SMT TYPE



NOTE:

1.Material:

PLASTIC: Glass-Filled Thermoplastic
high temperature LCP
G/F 30% color: Blue(Pantone 300C)
CONTACT: PHOSPHOR BRONZE
T=0.2±0.02

2.Plating:

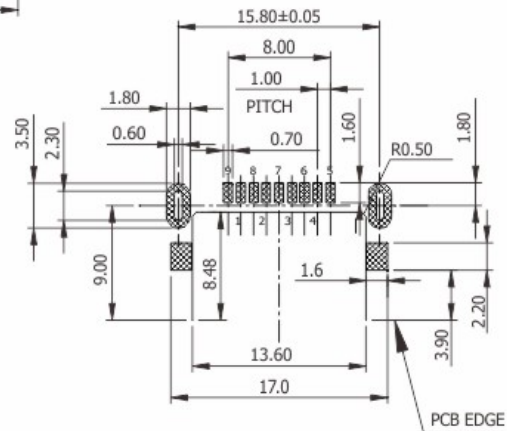
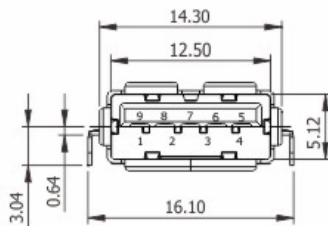
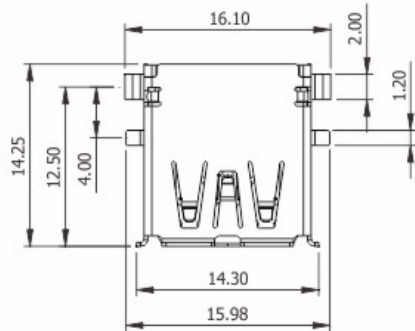
Contact : 30µ" on contact area gold
over 50µ" Nickel min.
Solder Tail: 120µ"min Tin over 50µ"
Nickel min.
SHELL: BRASS, 80µ" Nickel over 50µ"
min Cu

3.ELECTRICAL

VOLATAGE CURRENT RATING:
100V AC(RMS)1.8A APPLIED TO VBUS

PIN

AND ITS CORRESPONDING GND PIN
(PIN1,PIN4)
0.25A APPLIED TO ALL OTHER PINS
(PIN2,PIN3,PIN5,PIN6,PIN7,PIN8,PIN9)
INSULATION RESISTANCE: 100
MEGAOHMS MIN
CONTACT RESISTANCE: 30mΩ
MAX FOR 1PIN AND 4PIN CONTACTS
50mΩ MAX FOR ALL OTHER
CONTACTS
DIELECTRIC WITHSTANDING
VOLTAGE: 100 V/AC
TEMPERATURE RATING: -20°C ~
+85°C



RECOMMENDED PCB LAYOUT

Ordering Information

184g - XX X X X X X X
a b c d e f g

a. No. Of Pins
09: 09 positions

b. Contact Type
2:Female

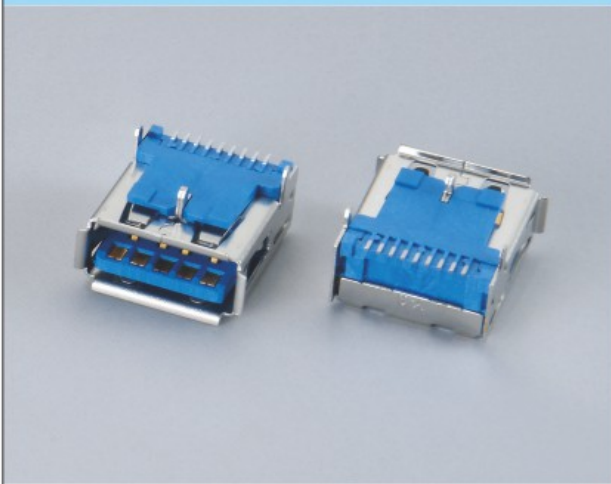
c. Contact Plating
0: Gold flash selective gold
1: 5µ" selective gold over 50µ" nickel
2: 15µ"selective gold over 50µ" nickel
3: 30µ" selective gold over 50µ" nickel

d. Shell Plating
1: Nickel

e. Insulator Color
1: Blue

f. Type
0: SMT TYPE

USB 3.0 RIGHT ANGLE SMT TYPE (A TYPE)



NOTE:

1. Material:

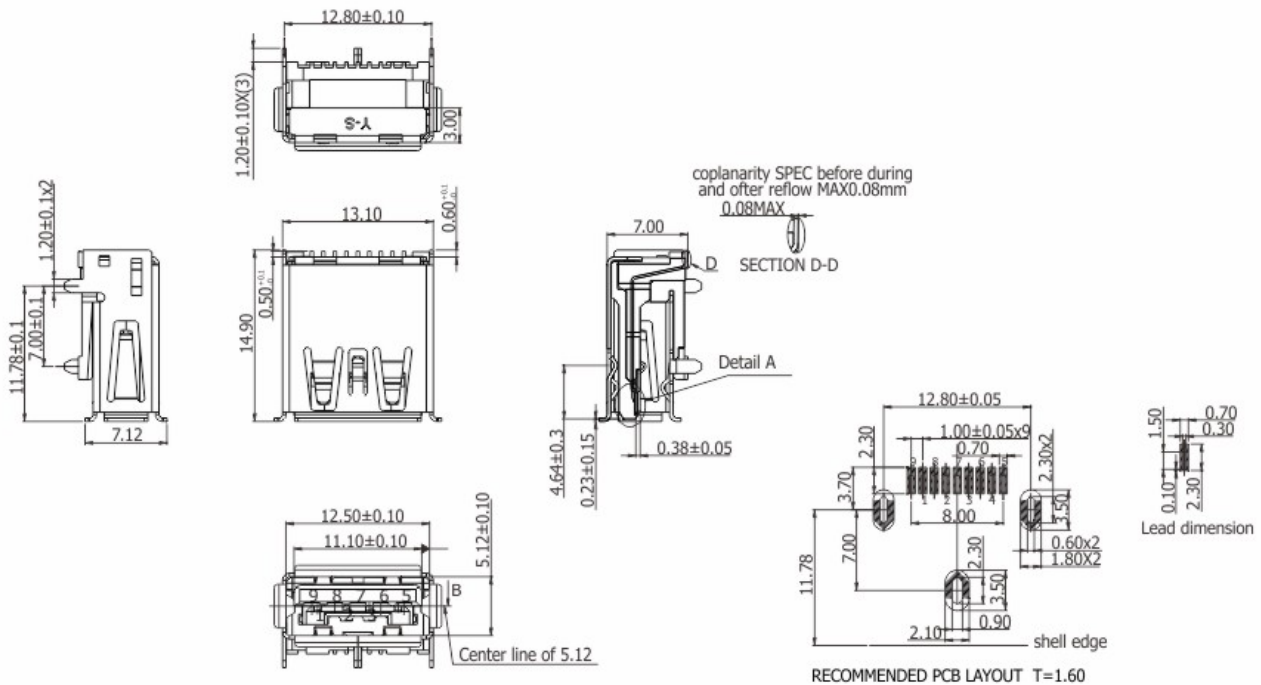
PLASTIC: Glass-Filled Thermoplastic LCP, UL 94V-0
G/F 30% color: Blue (Pantone 300C)
CONTACT: PHOSPHOR BRONZE $T=0.2\pm 0.02$

2. Plating:

Contact : 30μ " on contact area gold over 50μ " Nickel min.
Solder Tail: 120μ " min Tin over 50μ " Nickel min.
SHELL: BRASS, 80μ " Nickel over 50μ " min Cu

3. ELECTRICAL

AND ITS CORRESPONDING GND PIN (PIN1, PIN4)
0.25A APPLIED TO ALL OTHER PINS
(PIN2, PIN3, PIN5, PIN6, PIN7, PIN8, PIN9)



Ordering Information

184g - XX X X X X X
a b c d e f

a. No. Of Pins
09: 09 positions

b. Contact Type
2: Female

c. Contact Plating
0: Gold flash selective gold
1: 5μ " selective gold over 50μ " nickel
2: 15μ " selective gold over 50μ " nickel
3: 30μ " selective gold over 50μ " nickel

d. Shell Plating
1: Nickel

e. Insulator Color
1: Blue

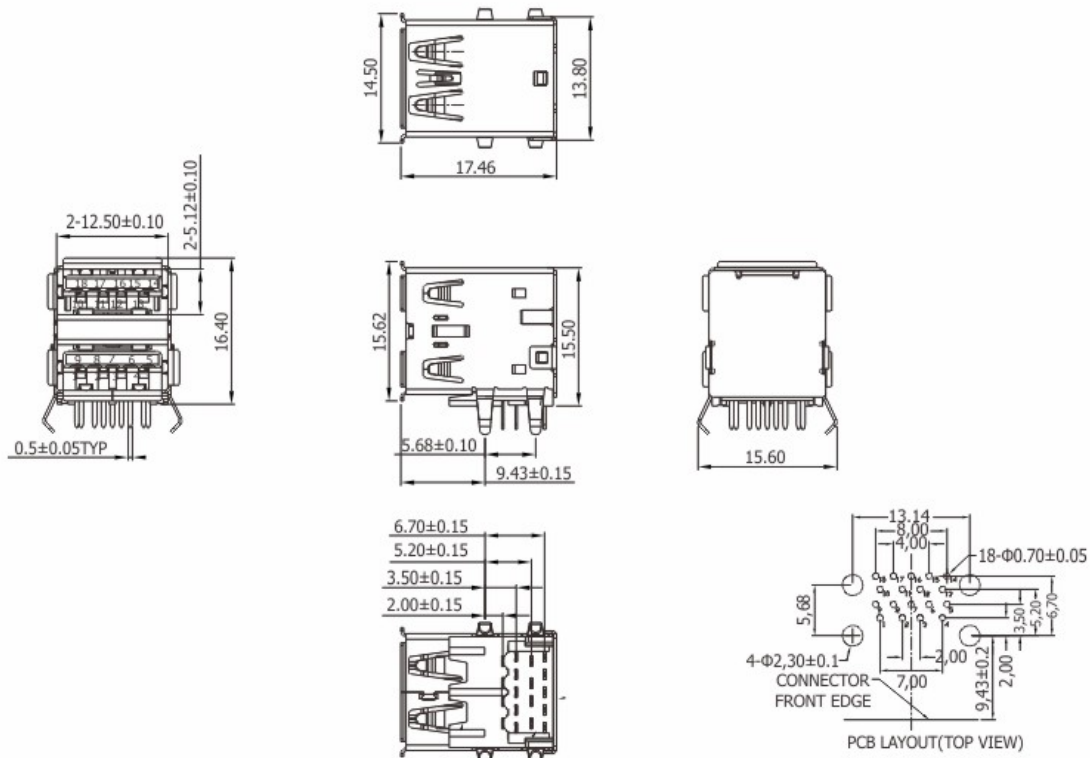
f. Type
2: SMT TYPE

USB 3.0 AF STACK 90° DIP



NOTE:
Material:
HOUSING: PBT 30%GF, COLOR: BLUE
TERMINAL: Copper Alloy T=0.25mm
SHELL: C2680 1/2H T=0.30mm
BACK SHELL: SUS T=0.3mm
MIDDLE SPRING: SPCC T=0.3mm
PLATING:
TERMINAL: CONTACT: PLATING 1 ~ 30μ"Au over 50μ"Ni,
SOLDER TAIL: PLATING 80μ"Tin over 50μ"Ni
SHELL: PLATING 80μ"Ni
MIDDLE SPRING: PLATING 80μ"Ni

SPECIFICATION:
 1).Voltage Current Rating: 1A, 30VAC(rms)
 2).Insulation Resistance: 1000MΩ Min.
 3).Contact Resistance: 30mΩ Max.
 4).Dielectric Withstanding Voltage: 500V AC
MECHANICAL:
 1).Mating Force: 3.57Kgf(35N)Max
 2).Unmating force: 1.02Kgf(10N)Min
 3).DURABILITY: 1500 Cycles
 Storage Temperature: -20°C ~ +85°C
 Operating Temperature: -20°C ~ +85°C



Ordering Information

185d - XX X X X X X
 a b c d e f

a. No. Of Pins
 09: 09 positions

b. Contact Type
 2: Female

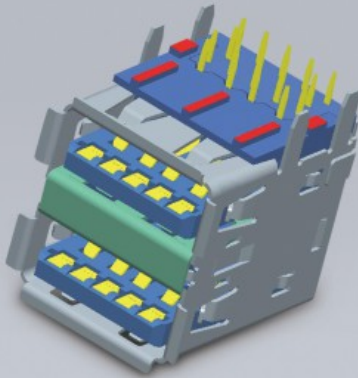
c. Contact Plating
 0: Gold flash selective gold
 1: 5μ" selective gold over 50μ" nickel
 2: 15μ" selective gold over 50μ" nickel
 3: 30μ" selective gold over 50μ" nickel

d. Shell Plating
 1: Nickel

e. Insulator Color
 2: Blue

f. Type
 1: DIP TYPE
 2 : HOOK TYPE

USB 3.0 STACK TYPE (A TYPE)



NOTE:

1.MATERIAL:

HOUSING: GLASS-FILLED THERMOPLASTIC BLACK HIGH TEMPERATURE PBT, UL94V-0 Rated.
 CONTACT: 5PIN C2680, T=0.20±0.02
 4PIN C5191, T=0.20±0.02
 MIDDLE SHELL: SUS 301, T=0.30±0.02
 FRONT SHELL: C2680, T=0.30±0.02
 BACK SHELL: C2680, T=0.30±0.02

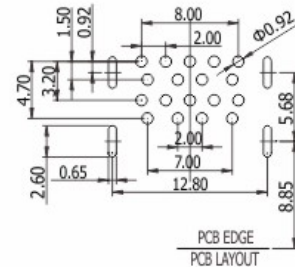
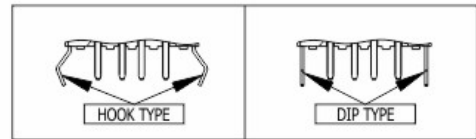
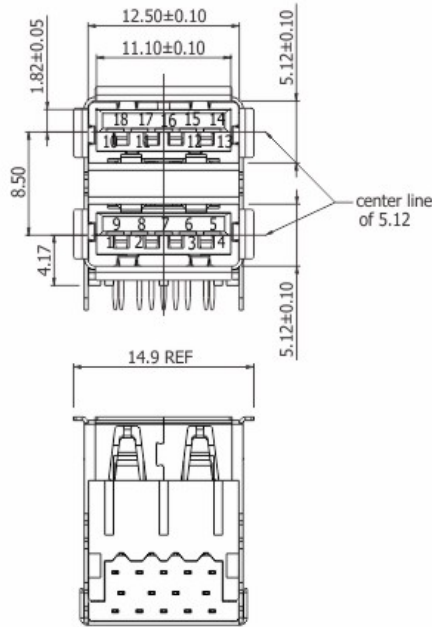
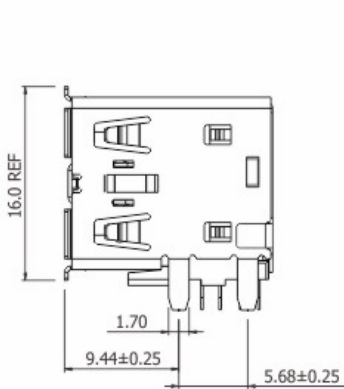
2.PLITING:

CONTACT: 30μ" MIN. GOLD PLATING ON CONTACT AREA
 120μ" MIN. TIN LEAD-FREE PLATING ON SOLDER TAILS
 50μ" MIN. NICKEL UNDERPLATING OVER ALL
 FRONT SHELL: 80μ" MIN Nickel over 50μ" MIN Cu

BACK SHELL: 80μ" MIN Nickel over 50μ" MIN Cu

3.ELECTRICAL

VOLATAGE CURRENT RATING: 100V AC/DC 1.8A APPLIED TO VBUS PIN AND ITS CORRESPONDING GND PIN (PIN1,PIN4)
 0.25A APPLIED TO ALL OTHER PINS (PIN2,PIN3,PIN5,PIN6,PIN7/PIN8,PIN9)
 INSULATION RESISTANCE: 100 MEGAOHMS MIN
 CONTACT RESISTANCE: 30mΩ MAX FOR PIN1 AND PIN4 CONTACTS
 50mΩ MAX FOR ALL OTHER CONTACTS
 DIELECTRIC WITHSTANDING VOLTAGE: 100 V/AC
 TEMPERATURE RATING: -55°C ~ +105°C



Ordering Information

185d - XX X X X X X
 a b c d e f

a. No. Of Pins
 09: 09 positions

b. Contact Type
 2: Female

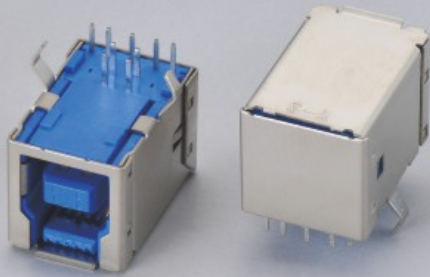
c. Contact Plating
 0: Gold flash selective gold
 1: 5μ" selective gold over 50μ" nickel
 2: 15μ" selective gold over 50μ" nickel
 3: 30μ" selective gold over 50μ" nickel

d. Shell Plating
 1: Nickel

e. Insulator Color
 2: Blue

f. Type
 1: DIP TYPE
 2: HOOK TYPE

USB 3.0 RIGHT ANGLE TYPE (B TYPE)



NOTE:

1.MATERIAL:

HOUSING: INSERTMOLDING
 INSULATION: Glass-Filled Thermoplastic PBT ,UL 94V-0,
 COLOR: BLACK
 BASE: Glass-Filled Thermoplastic PBT, UL 94V-0,COLOR: BLACK
 COVER: Glass-Filled Thermoplastic PBT, UL 94V-0,COLOR: BLACK
 CONTACT: 5PIN C2680, T=0.25±0.02
 4PIN C5191, T=0.25±0.02
 FRONT SHELL: SUS 304, T=0.30±0.02
 BACK SHELL: STEEL, T=0.30±0.02

2.PLITTING:

CONTACT: 30µ" MIN. GOLD PLATING ON CONTACT AREA
 120µ" MIN. TIN LEAD-FREE PLATING ON SOLDER TAILS
 50µ" MIN. NICKEL UNDERPLATING OVER ALL
 FRONT SHELL: 80µ" MIN Nickel over

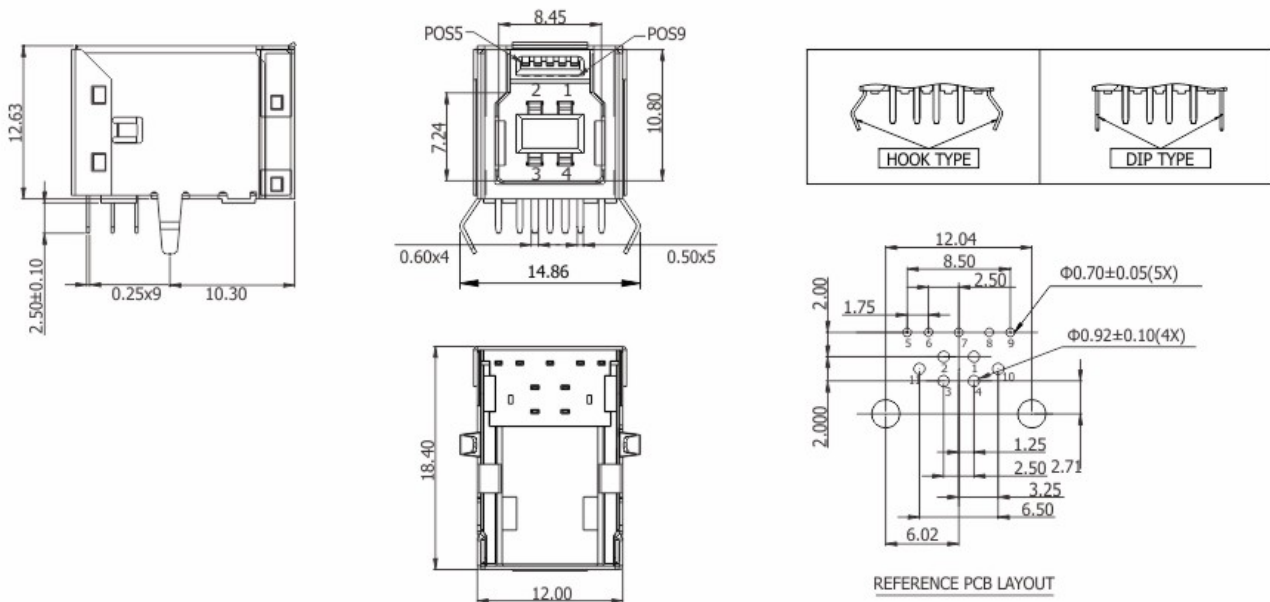
50µ" MIN Cu

BACK SHELL: 80µ" MIN Nickel over

50µ" MIN Cu

3.ELECTRICAL

VOLATAGE CURRENT RATING: 100V AC/DC 1.8A APPLIED TO VBUS PIN AND ITS
 CORRESPONDING GND PIN (PIN1,PIN4) 0.25A APPLIED TO ALL OTHER PINS (PIN2, PIN3, PIN5, PIN6, PIN7PIN8, PIN9)
 INSULATION RESISTANCE: 100 MEGAOHMS MIN
 CONTACT RESISTANCE: 30mΩ MAX FOR PIN1 AND PIN4 CONTACTS
 50mΩ MAX FOR ALL OTHER CONTACTS
 DIELECTRIC WITHSTANDING VOLTAGE: 100 V/AC
 TEMPERATURE RATING: -55°C ~ +105°C



Ordering Information

184f - XX X X X X X
 a b c d e f

a. No. Of Pins
 09: 09 positions

b. Contact Type
 2: Female

c. Contact Plating
 0: Gold flash selective gold
 1: 5µ" selective gold over 100µ" nickel
 2: 15µ" selective gold over 100µ" nickel
 3: 30µ" selective gold over 100µ" nickel

d. Shell Plating
 1: Nickel

e. Insulator Color
 2: Black
 3: BLUE

f. Type
 1: DIP TYPE
 3: HOOK TYPE