

THE INFORMATION CONTAINED IN THIS DOCUMENT IS PROPRIETARY TO Y-S ELECTRONIC, ANY REPRODUCTION IN PART OR WHOLE WITHOUT PRIOR WRITTEN APPROVAL OR AUTHORIZATION OF Y-S ELECTRONIC IS STRICTLY PROHIBITED.

ROHS COMPLIANT

REV.	DESCRIPTION	ECN NO.	DWN.	CHK.	APVD.	DATE
A			Xie	Long	Zhou	2015.01.27

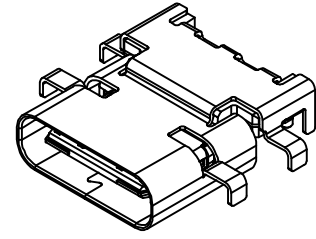
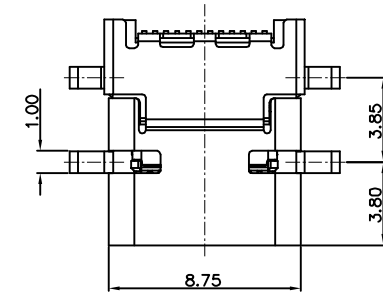
SPECIFICATION

MATERIAL
See drawing
STANDARD DATA
Rating current:1.5A
ELECTRICAL
Insulator resistance: 100M ohms Min
Withstanding voltage: 100 VAC / minute
Contact resistance: 40mohms Max
MECHANICAL
Mating force: 5~20N.
Unmating force: 8~20N.
Durability: 10000 cycles Min.
Voltage: 20V MAX
PART NO.

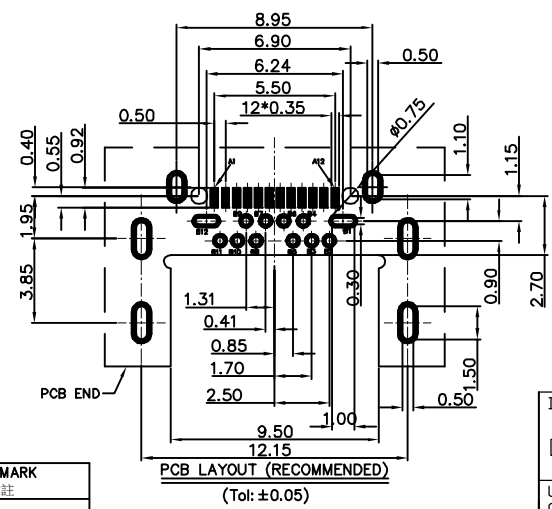
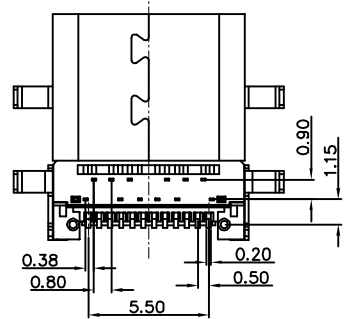
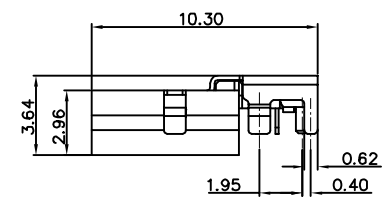
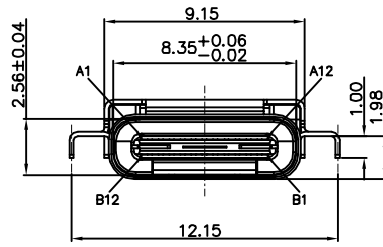
Ordering Information

184j - $\frac{XX}{a} \frac{X}{b} \frac{X}{c} \frac{X}{d} \frac{X}{e} \frac{X}{f}$

- a. No. Of Pins
24: 24 positions
- b. Contact Type
1: Male
2: Female
- c. Contact Plating
0: Gold flash selective gold
1: 5u" selective gold over 50u" nickel
2: 15u" selective gold over 50u" nickel
3: 30u" selective gold over 50u" nickel
- d. Shell Type
1: Nickel
- e. Insulator Color
1: Black (LCP)
- f. Contact Type(Signal Pin)
1: SMT TYPE(Sink type)
2: Edge Type



	Signal Name		Signal Name
A1	GND	B12	GND
A2	SSTXp1	B11	SSRXp1
A3	SSTXn1	B10	SSRXn1
A4	VBUS	B9	VBUS
A5	CC1	B8	SBU2
A6	Dp1	B7	Dn2
A7	Dn1	B6	Dp2
A8	SBU1	B5	CC2
A9	VBUS	B4	VBUS
A10	SSRXn2	B3	SSTXn2
A11	SSRXp2	B2	SSTXp2
A12	GND	B1	GND



ITEM	PARTS NAME	Q'TY	MATERIAL	FINISH/REMARK
項目	零件名稱	數量	材質	處理/備註
1	Insermold housing	1	SYNTHETIC RESIN	Black
2	12pin Insermold-(1)	1	SYNTHETIC RESIN	Black
3	12pin Insermold-(2)	1	SYNTHETIC RESIN	Black
4	SHELL	1	STAINLESS	Ni:20u" Gold flash
5	12pin Contact-(DIP)	12	COPPER ALLOY	Gold flash on contact area 100u" Tin on solder tabs, base Nickel:50u"
6	12pin Contact-(SMT)	12	COPPER ALLOY	Gold flash on contact area 100u" Tin on solder tabs, base Nickel:50u"
7	Shield SHELL	1	STAINLESS	Ni:20u"
8		1	STAINLESS	Ni:20u"
9	Ground plate-bottom	1	STAINLESS	Ni:20u"

DIMENSIONS:
 mm [INCH] INCH [mm] mm ONLY

UNLESS OTHERWISE SPECIFIED,
GENERAL TOLERANCE:
 DECIMALS ANGLES
 X: ±0.38 [0.015] X*: ±3°
 .X: ±0.25 [0.010] .X*: ±1.0°
 .XX: ±0.13 [0.005]

CAD GENERATED DRAWING,
DO NOT MANUALLY UPDATE
 DRAWN BY AND DATE
 JACK CHEN 2010-06-08
 CHECKED BY AND DATE
 JUSTIN XING 2010-06-08
 APPROVED BY AND DATE
 FRANKY CHEN 2010-06-08
 THIRD ANGLE PROJECTION

MATERIAL:

FINISH: SCALE: 1:1 SIZE: A3



TITLE	
184j SERIES USB 3.1 TYPE C	
DRAWING NO. 184j-2420111	REV A
FILE NO.:	SHEET 1 OF 1

DO NOT SCALE DRAWING