

THE INFORMATION CONTAINED IN THIS DOCUMENT IS PROPRIETARY TO Y-S ELECTRONIC, ANY REPRODUCTION IN PART OR WHOLE WITHOUT PRIOR WRITTEN APPROVAL OR AUTHORIZATION OF Y-S ELECTRONIC IS STRICTLY PROHIBITED.

RoHS COMPLIANT

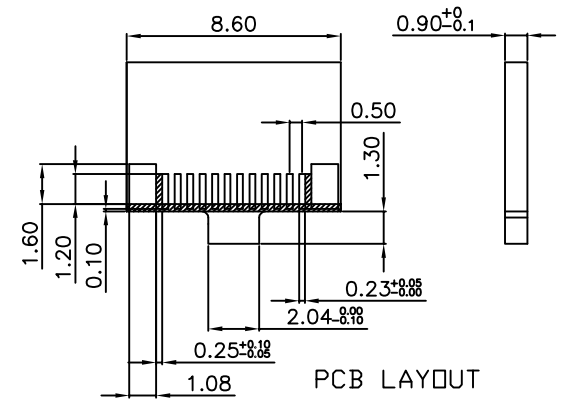
REV.	DESCRIPTION	ECN NO.	DWN.	CHK.	APVD.	DATE
R1						

**Remark:**  
**Main Features :**  
 1.Current Rating:5A  
 2.Contact Impedance:40mΩ MAX  
 3.Insulation Resistance:100MΩ MIN 100V DC  
 4.Wetting Property:Temperature245±5℃ · time of 3~5s  
 5.Mechanical Characteristics:  
 Insertion Force:5-20N  
 Extraction Force:Initial:8-20N;Durability:6-20N(1000cycles)  
 6.Life Test:10000 cycles min  
 7.USB Type c Plug TID NO:271  
 8.All products meet environmental standards of RoHS

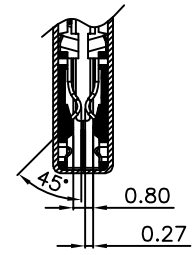
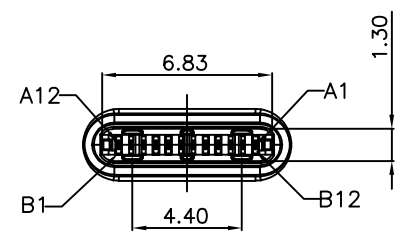
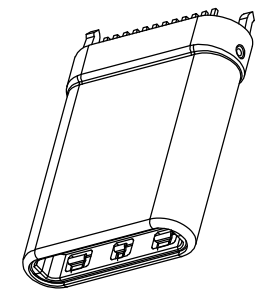
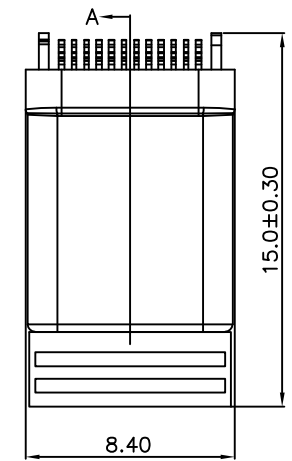
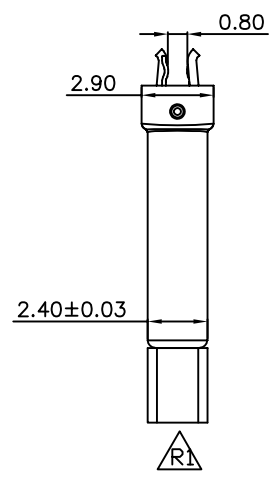
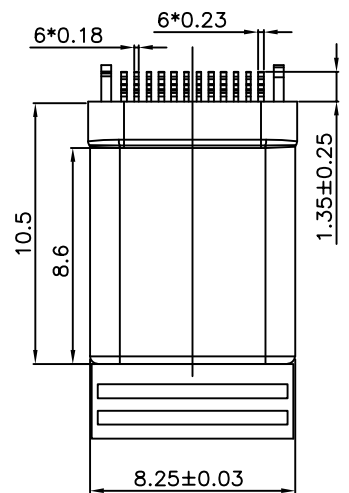
Ordering Information

184j - XX  $\frac{X}{a}$   $\frac{X}{b}$   $\frac{X}{c}$   $\frac{X}{d}$   $\frac{X}{e}$   $\frac{X}{f}$

- a. No. Of Pins  
24: 24 positions
- b. Contact Type  
1: Male
- c. Contact Plating  
0: Gold flash selective gold  
1: 5u" selective gold over 50u" nickel  
2: 15u" selective gold over 50u" nickel  
3: 30u" selective gold over 50u" nickel  
4: 10u" selective gold over 50u" nickel
- d. Shell Type  
1: Nickel
- e. Insulator Color  
1: Black (LCP)
- f.Contact Type(Signal Pin)  
2: Edge Type  
P: Edge Type(H=0.8MM)



PCB LAYOUT



DETAIL A-A

NO.	QTY.	MATERIAL	TREATMENT
⑤	1	EMI SPRING	1 STAINLESS STEEL CLEAN.
④	1	GND LATCH	1 STAINLESS STEEL NICKEL PLATED OVERALL,TAB WITH LEAD FREE TIN ALLOY.
③	24	CONTACT	24 COPPER ALLOY NICKEL UNDERPLATING OVER ALL,30u GOLD CONTACT AREA,LEAD FREE TIN ALLOY AT TERMINATION.
②	1	SHELL	1 STAINLESS STEEL SEE PART NO.
①	2	HOUSING	2 THERMOPLASTIC UL 94V-0 SEE PART NO.

DIMENSIONS: <input type="checkbox"/> mm [INCH] <input type="checkbox"/> INCH [mm] <input checked="" type="checkbox"/> mm ONLY	CAD GENERATED DRAWING, DO NOT MANUALLY UPDATE DRAWN BY AND DATE Xie 2018-01-09		
			UNLESS OTHERWISE SPECIFIED, GENERAL TOLERANCE: DECIMALS      ANGLES .X ±0.50      X* ±3° .X ±0.38      .X* ±1.0° .XX ±0.25
MATERIAL: FINISH:	CHECKED BY AND DATE Fan 2018-01-09 APPROVED BY AND DATE Zhou 2018-01-09 THIRD ANGLE PROJECTION 	DRAWING NO. 184J-241311P	REV R1
SCALE: 1 : 1	SIZE: A3	FILE NO.:	SHEET 4 OF 1

DO NOT SCALE DRAWING

