

THE INFORMATION CONTAINED IN THIS DOCUMENT IS PROPRIETARY TO Y-S ELECTRONIC, ANY REPRODUCTION IN PART OR WHOLE WITHOUT PRIOR WRITTEN APPROVAL OR AUTHORIZATION OF Y-S ELECTRONIC IS STRICTLY PROHIBITED.

RoHS COMPLIANT

REV.	DESCRIPTION	ECN NO.	DWN.	CHK.	APVD.	DATE
A			Xie		Zhou	2023-06-25

NOTE:

1.MATERIAL:

- 1.1 INSULATOR: HIGH TEMPERATURE PLASTIC UL 94V-0;
- 1.2 CONTACT: COPPER ALLOY
- 1.3 SHELL:STAINLESS STEEL

2.ELECTRICAL CHARACTERISTICS:

- 2.1 CONTACT RESISTANCE: 40mΩ Max FOR INITIAL. 30mΩ CHANGE AFTER TEST. MEASURE AT 20mV, 100mA.
- 2.2 CONTACT CURRENT RATING: 5A FOR VBUS PIN; 1.25A FOR VCONN PIN.

- 2.3 DIELECTRIC WITHSTANDING VOLTAGE: 100V AC R.M.S.
- 2.4 INSULATION RESISTANCE 100MΩ Min
- 2.5 OPERATING TEMPERATURE: -40°C ~ 85°C

3 MECHANICAL CHARACTERISTICS:

- 3.1 MATING FORCE: 5~20 N.
- 3.2 UNMATED FORCE: 8~20N AFTER TEST
- 3.3 DURABILITY: 10,000 CYCLES

4.PLATING

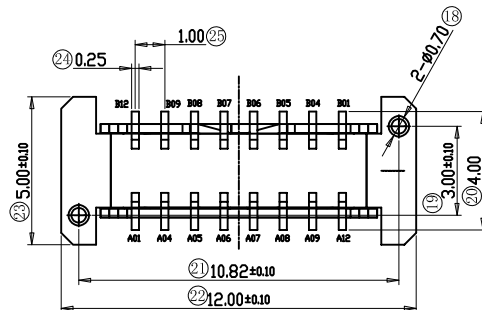
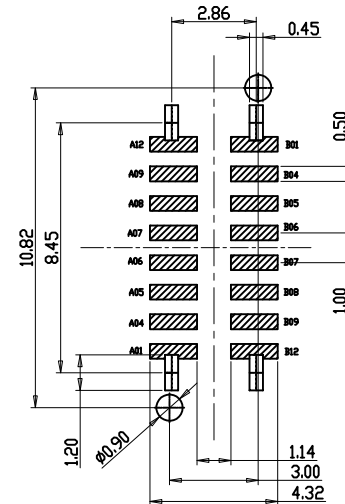
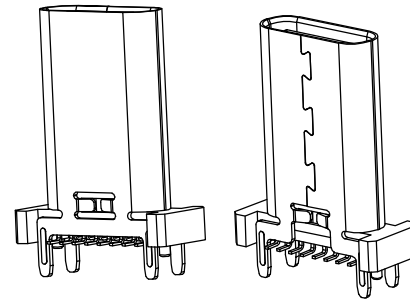
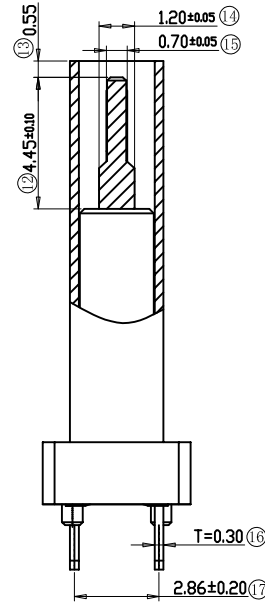
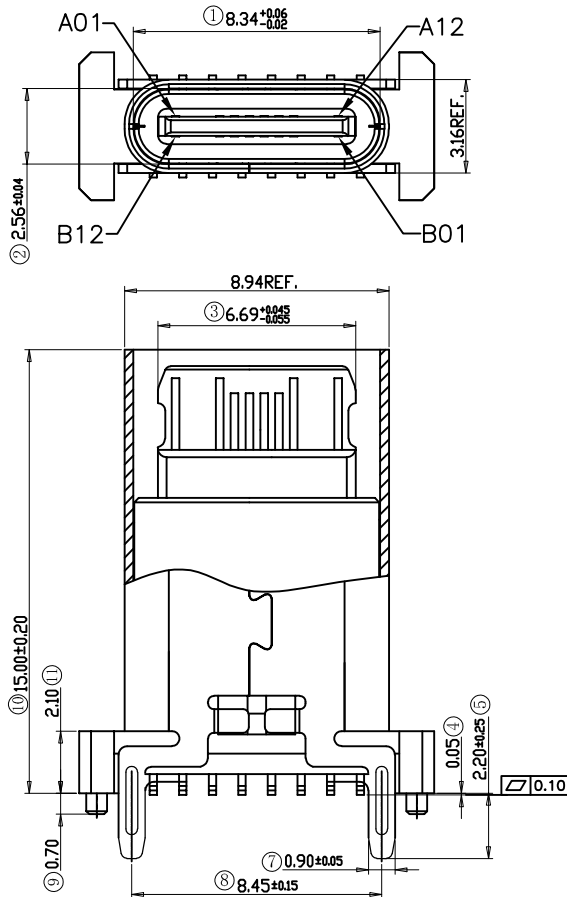
- 4.1 TERMINAL CONTACT: (SEE TAB) GOLD PLATING ALL OVER 50u" Min NICKEL AND 80u"Min Tin ALL OVER 50u" Min NICKEL ON SOLDER AREA
- 4.2 SHELL: 50u" Min. NICKEL ALL OVER,

Ordering Information

184j - $\frac{XX}{a} \frac{X}{b} \frac{X}{c} \frac{X}{d} \frac{X}{e} \frac{X}{f}$

- a. No. Of Pins
16: 16 positions
- b. Contact Type
I: Female (H=15.00MM)
- c. Contact Plating
5: 3u" selective gold over 50u" nickel
- d. Shell Type
1: Nickel
- e. Insulator Color
1: Black (LCP)
- f.Contact Type(Signal Pin)
6: 180° SMT Type

RECOMMENDED P.C.B. LAYOUT (俯视图)
TOLERANCE UNSPECIFIED ±0.05mm



A1	GND	B12	GND
A4	VBUS	B9	VBUS
A5	CC1	B8	SBU2
A6	D+	B7	D-
A7	D-	B6	D+
A8	SBU1	B5	CC2
A9	VBUS	B4	VBUS
A12	GND	B1	GND
PIN	SIGNAL NAME	PIN	SIGNAL NAME

DIMENSIONS:		CAD GENERATED DRAWING, DO NOT MANUALLY UPDATE	
<input type="checkbox"/> mm [INCH]	<input type="checkbox"/> INCH [mm]	<input checked="" type="checkbox"/> mm ONLY	DRAWN BY AND DATE Xie 2017-12-15
UNLESS OTHERWISE SPECIFIED, GENERAL TOLERANCE:		CHECKED BY AND DATE Fan 2017-12-15	
DECIMALS X: ±0.38 .X: ±0.25 .XX: ±0.15	ANGLES X°: ±3° .X°: ±1.0°	APPROVED BY AND DATE Zhou 2017-12-15	
MATERIAL:		THIRD ANGLE PROJECTION	
FINISH:		SCALE: 1:1	
		SIZE: A3	



TITLE USB C Female 180° SMT 16P H=15.0MM	
DRAWING NO. 184J-16I5116	REV A
FILE NO.:	SHEET 1 OF 1

DO NOT SCALE DRAWING