

THE INFORMATION CONTAINED IN THIS DOCUMENT IS PROPRIETARY TO Y-S ELECTRONIC, ANY REPRODUCTION IN PART OR WHOLE WITHOUT PRIOR WRITTEN APPROVAL OR AUTHORIZATION OF Y-S ELECTRONIC IS STRICTLY PROHIBITED.

RoHS COMPLIANT

REV.	DESCRIPTION	ECN NO.	DWN.	CHK.	APVD.	DATE
A			Xie		Zhou	2023-06-25

NOTE:

1.MATERIAL:

- 1.1 INSULATOR: HIGH TEMPERATURE PLASTIC UL 94V-0;
- 1.2 CONTACT: COPPER ALLOY
- 1.3 SHELL: STAINLESS STEEL

2.ELECTRICAL CHARACTERISTICS:

- 2.1 CONTACT RESISTANCE: 40mΩ Max FOR INITIAL. 30mΩ CHANGE AFTER TEST. MEASURE AT 20mV, 100mA.
- 2.2 CONTACT CURRENT RATING: 5A FOR VBUS PIN; 1.25A FOR VCONN PIN.

- 2.3 DIELECTRIC WITHSTANDING VOLTAGE: 100V AC R.M.S.

- 2.4 INSULATION RESISTANCE 100MΩ Min

- 2.5 OPERATING TEMPERATURE: -40℃ ~ 85℃

3 MECHANICAL CHARACTERISTICS:

- 3.1 MATING FORCE: 5~20 N.
- 3.2 UNMATED FORCE: 8~20N AFTER TEST
- 3.3 DURABILITY: 10,000 CYCLES

4.PLATING

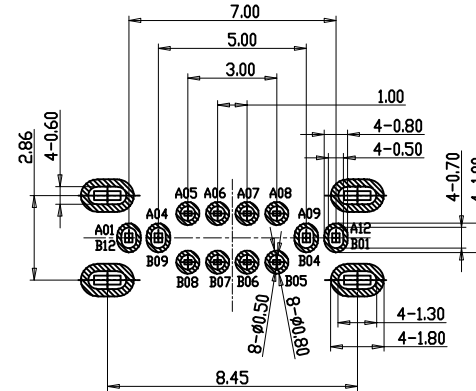
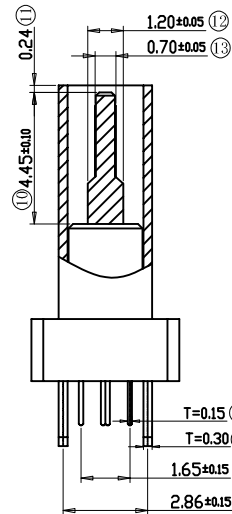
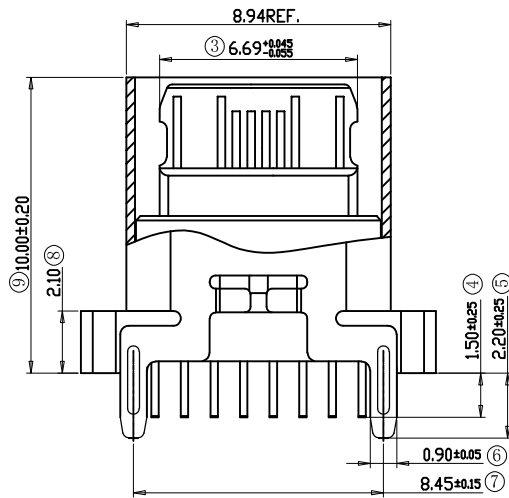
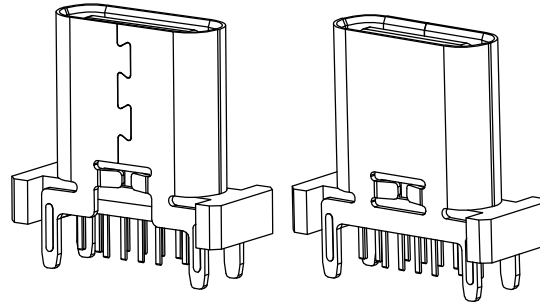
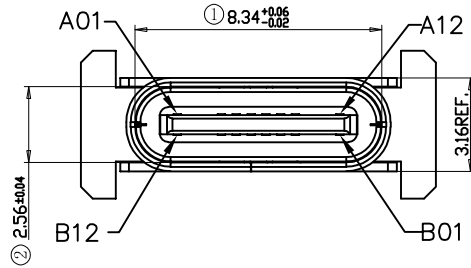
- 4.1 TERMINAL CONTACT: (SEE TAB) GOLD PLATING ALL OVER 50u" Min NICKEL AND 80u"Min Tin ALL OVER 50u" Min NICKEL ON SOLDER AREA

- 4.2 SHELL: 50u" Min. NICKEL ALL OVER,

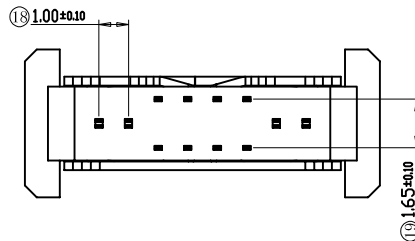
Ordering Information

184j - $\begin{matrix} \text{XX} & \text{X} & \text{X} & \text{X} & \text{X} & \text{X} \\ \text{a} & \text{b} & \text{c} & \text{d} & \text{e} & \text{f} \end{matrix}$

- a. No. Of Pins
16: 16 positions
- b. Contact Type
2: Female
- c. Contact Plating
5: 3u" selective gold over 50u" nickel
- d. Shell Type
1: Nickel
- e. Insulator Color
1: Black (LCP)
- f. Contact Type(Signal Pin)
Z: 180° DIP Type(H=10.00MM)



RECOMMENDED P.C.B. LAYOUT (俯视图)
TOLERANCE UNSPECIFIED ±0.05mm



A1	GND	B12	GND
A4	VBUS	B9	VBUS
A5	CC1	B8	SBU2
A6	D+	B7	D-
A7	D-	B6	D+
A8	SBU1	B5	CC2
A9	VBUS	B4	VBUS
A12	GND	B1	GND
PIN	SIGNAL NAME	PIN	SIGNAL NAME

DIMENSIONS:

mm INCH mm ONLY

UNLESS OTHERWISE SPECIFIED, GENERAL TOLERANCE:
DECIMALS: X. ±0.38, .X ±0.25, .XX ±0.15
ANGLES: X° ±3°, .X° ±1.0°

MATERIAL:

FINISH:

CAD GENERATED DRAWING, DO NOT MANUALLY UPDATE

DRAWN BY AND DATE
Xie 2017-12-15

CHECKED BY AND DATE
Fan 2017-12-15

APPROVED BY AND DATE
Zhou 2017-12-15

THIRD ANGLE PROJECTION



SCALE:
1:1

SIZE: A3



TITLE

USB C Female 180° DIP 16P

DRAWING NO.

184J-162511Z

REV

A

FILE NO.:

SHEET 1 OF 1

DO NOT SCALE DRAWING