

THE INFORMATION CONTAINED IN THIS DOCUMENT IS PROPRIETARY TO Y-S ELECTRONIC. ANY REPRODUCTION IN PART OR WHOLE WITHOUT PRIOR WRITTEN APPROVAL OR AUTHORIZATION OF Y-S ELECTRONIC IS STRICTLY PROHIBITED.

RoHS COMPLIANT

REVISIONS				
REV	ECN NO.	DESCRIPTION	APPROVED BY	DATE

Material & Finish

SHELL: **Steel; Zinc plated, Tin plated or Nickel plated steel**

PIN CONTACT:

Phosphor Bronze/ Gold plated

INSULATOR:

PBT & Glass-fibre reinforced
UL-94-V0

CURRENT RATING: 1 Amp

DIELECTRIC STRENGTH:

AC 1000V Min.(for one minute)

INSULATOR RESISTANCE:

1000MΩ Min. (at 500V DC)

CONTACT RESISTANCE

25m Max. mated

TEMPERATURE:

-55°C to +105°C

Ordering Information

142c - $\frac{XX}{a} \frac{X}{b} \frac{X}{c} \frac{X}{d} \frac{X}{e} \frac{X}{f}$

a. No. of Contacts

36

b. Contact Type

2: Female

c. Contact Plating

1: Selective Gold

2: 15u"

3: 30u"

d. Insulator Color

1: Black

e. Special Function

1: Clear Hole Ø3.0mm

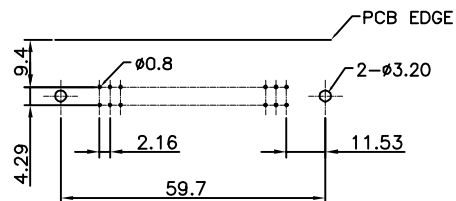
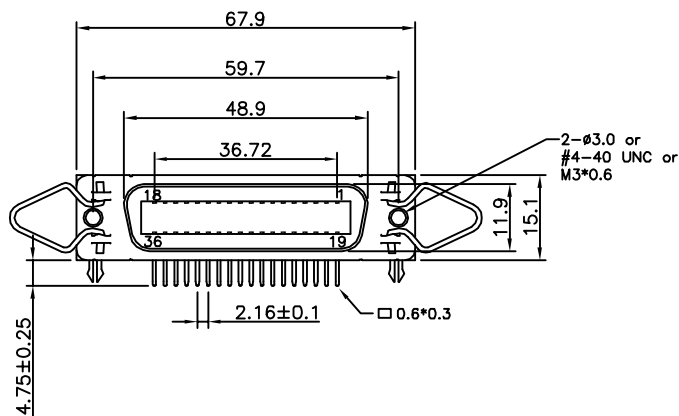
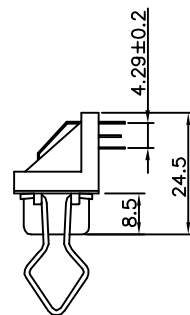
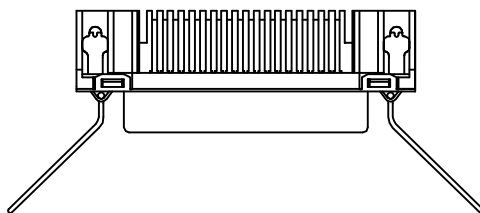
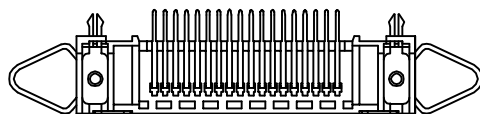
2: #4-40 unc Rivet Thread

3: M3 Rivet Thread

f. Special Function

1: Ground strap(Both With #4-40 UNC Thread)

2: Ground Hook fork board lock(Front #4-40 UNC Thread)



P.C.B. LAYOUT

DO NOT SCALE DRAWING

CENTRONIC P.C.B. RIGHT ANGLE FEMALE WITH SPRING LATCH RIVET GROUND HOOK

DIMENSIONS: <input type="checkbox"/> MM [INCH] <input type="checkbox"/> INCH [mm] <input checked="" type="checkbox"/> MM ONLY		CAD GENERATED DRAWING, DO NOT MANUALLY UPDATE	
UNLESS OTHERWISE SPECIFIED, GENERAL TOLERANCE: DECIMALS ANGLES X: ±0.38 [0.015] X°: ±3° .X: ±0.25 [0.010] .X°: ±1.0° .XX: ±0.13 [0.005]		DRAWN BY AND DATE JUSTIN XING 07-03-06	
MATERIAL		CHECKED BY AND DATE JUSTIN XING 07-03-06	
FINISH		APPROVED BY AND DATE MICHAEL HUANG 07-03-06	
		THIRD ANGLE PROJECTION	
		SCALE: 1:1	SIZE: A3



Y-S ELECTRONIC CO., LTD.
 No. 101, Sec. 1, Long-An Street,
 Lu-Chu, Taoyuan, Taiwan, R.O.C.
 TEL: +886-3-3609819 FAX: +886-3-3609817

TITLE 142c SERIES CENTRONIC CONNECTORS RIGHT ANGLE TYPE	
DRAWING NO. 142c-XXXXXXXX	REV A
FILE NO.	SHEET 1 OF 1