

THE INFORMATION CONTAINED IN THIS DOCUMENT IS PROPRIETARY TO Y-S ELECTRONIC, ANY REPRODUCTION IN PART OR WHOLE WITHOUT PRIOR WRITTEN APPROVAL OR AUTHORIZATION OF Y-S ELECTRONIC IS STRICTLY PROHIBITED.

RoHS COMPLIANT

REVISIONS				
REV	ECN NO.	DESCRIPTION	APPROVED BY	DATE
A		△	MICHAEL HUANG	2008-08-08

Product Specification

Material

Insulator :Glass-Filled Thermoplastic  
UL94V-0 rates  
Contact :Brass

Electrical

Contact Resistance :20 milliohms  
Max at 1 AMP DC.  
Insulation Resistance :5000  
magohms at 500 VDC  
Dielectric Withstanding Voltage :  
500 VAC/rms 60Hz for 1 minute  
Current Rating :1 AMP  
Volatge Rating :250 VAC/rms 60Hz

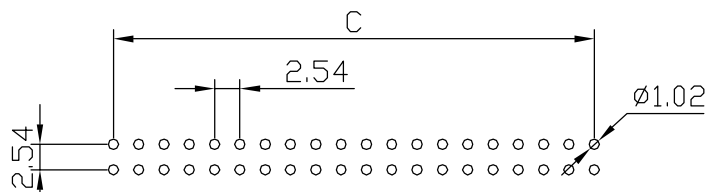
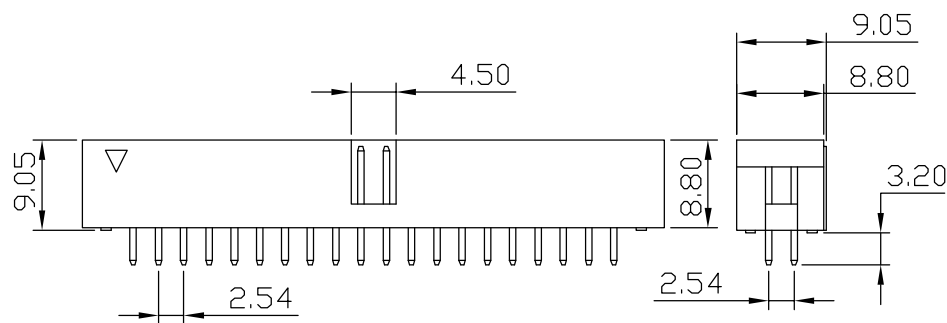
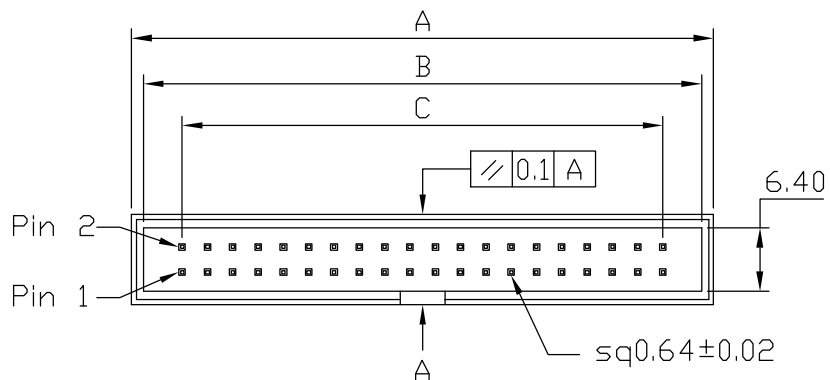
Ordering Information

118 -  $\frac{XX}{a} \frac{X}{b} \frac{X}{c} \frac{X}{d} \frac{X}{e} \frac{X}{f}$

- a. No. Of Pins
- b. Contact Plating
  - 0: Gold flash selective gold
  - 1: 5u' selective gold on contact
  - 2: 10u' selective gold on contact
  - 3: 15u' selective gold on contact
  - 4: 30u' selective gold on contact
  - 5: 50u' selective gold on contact
  - 6: Gold Flash full gold(standard)
  - 7: Tin plated
- c. Terminal Type
  - 0: 180° Dip type
  - 1: 90° Dip type
  - 2: SMT type
  - 3: IDC type
- d. Insulator Color
  - 0: Black(standard)
  - 1: Gray
  - 2: White
- e. Type
  - 0: Dip type
  - 1: IDC type(W/D insulator support)
  - 2: SMT type
  - 3: IDC type(With insulator support)
- f. Insulator Material
  - 1: PBT
  - 2: Nylon 6T
  - 3: Nylon 9T

SpecialType

POLES	DIM A	DIM B	DIM C
: 6	12.66	10.26	5.08
6	15.20	12.80	5.08
: 8	15.20	12.80	7.62
8	17.78	15.48	7.62
10	20.30	18.10	10.16
12	22.84	20.44	12.70
14	25.38	22.98	15.24
16	27.92	25.52	17.78
20	33.00	30.60	22.86
24	38.08	35.68	27.94
26	40.62	38.22	30.48
30	45.70	43.30	35.56
34	50.80	48.40	40.64
40	58.40	56.00	48.26
44	63.48	61.20	53.34
50	71.10	68.70	60.96
56	78.72	76.32	68.58
60	83.80	81.40	73.66
64	88.88	86.68	78.74



BOX HEADER 2.54\*2.54mm STRAIGHT TYPE  
Recommended P.C.B Layout

DIMENSIONS: <input type="checkbox"/> MM [INCH] <input type="checkbox"/> INCH [mm] <input checked="" type="checkbox"/> MM ONLY	CAD GENERATED DRAWING, DO NOT MANUALLY UPDATE
UNLESS OTHERWISE SPECIFIED, GENERAL TOLERANCE: DECIMALS ANGLES X: ±0.38 [0.015] X° ±3° .X: ±0.25 [0.010] .X° ±1.0° .XX: ±0.13 [0.005]	CHECKED BY AND DATE JUSTIN XING 07-03-06 APPROVED BY AND DATE MICHAEL HUANG 03-21-08 THIRD ANGLE PROJECTION
MATERIAL	
FINISH	SCALE: 2:1 SIZE: A3

TITLE	118 SERIES BOX HEADER 2.54MM (0.100")
DRAWING NO.	118-XXXXXXX
FILE NO.	



**Y-S ELECTRONIC CO., LTD.**  
No. 101, Sec. 1, Long-An Street,  
Lu-Chu, Taoyuan, Taiwan, R.O.C.  
TEL: +886-3-3609819 FAX: +886-3-3609817

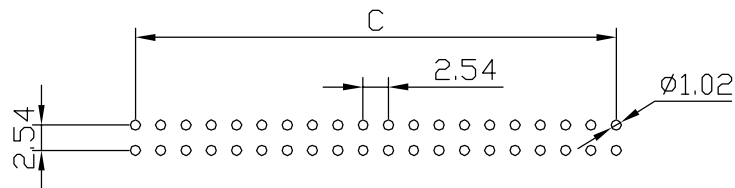
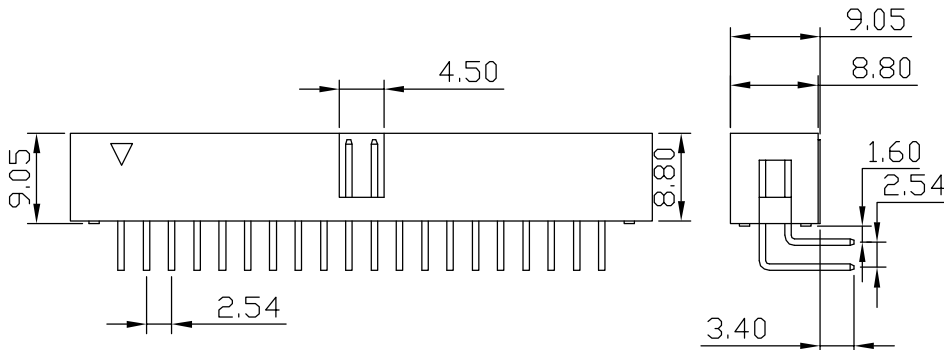
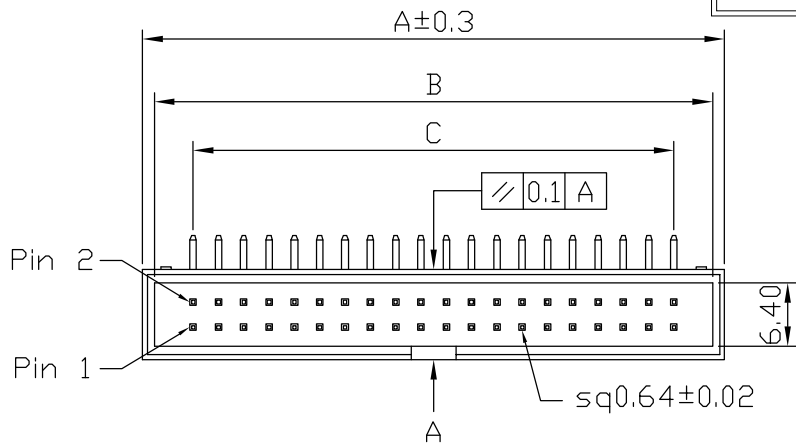
REV	A
SHEET 1 OF 3	

DO NOT SCALE DRAWING

THE INFORMATION CONTAINED IN THIS DOCUMENT IS PROPRIETARY TO Y-S ELECTRONIC. ANY REPRODUCTION IN PART OR WHOLE WITHOUT PRIOR WRITTEN APPROVAL OR AUTHORIZATION OF Y-S ELECTRONIC IS STRICTLY PROHIBITED.

RoHS COMPLIANT

REVISIONS				
REV	ECN NO.	DESCRIPTION	APPROVED BY	DATE
A		△	MICHAEL HUANG	2008-08-08



BOX HEADER 2.54\*2.54mm R/A TYPE  
Recommended P.C.B Layout

SpecialType

POLES	DIM A	DIM B	DIM C
: 6	12.66	10.26	5.08
6	15.20	12.80	5.08
: 8	15.20	12.80	7.62
8	17.78	15.48	7.62
10	20.30	18.10	10.16
12	22.84	20.44	12.70
14	25.38	22.98	15.24
16	27.92	25.52	17.78
20	33.00	30.60	22.86
24	38.08	35.68	27.94
26	40.62	38.22	30.48
30	45.70	43.30	35.56
34	50.80	48.40	40.64
40	58.40	56.00	48.26
44	63.48	61.20	53.34
50	71.10	68.70	60.96
56	78.72	76.32	68.58
60	83.80	81.40	73.66
64	88.88	86.68	78.74

Product Specification

Material

Insulator :Glass-Filled Thermoplastic  
UL94V-0 rates  
Contact :Brass

Electrical

Contact Resistance :20 milliohms  
Max at 1 AMP DC.  
Insulation Resistance :5000  
magohms at 500 VDC  
Dielectric Withstanding Voltage :  
500 VAC/rms 60Hz for 1 minute  
Current Rating :1 AMP  
Volatge Rating :250 VAC/rms 60Hz

Ordering Information

118 -  $\frac{XX}{a} \frac{X}{b} \frac{X}{c} \frac{X}{d} \frac{X}{e} \frac{X}{f}$

- a. No. Of Pins
- b. Contact Plating
  - 0: Gold flash selective gold
  - 1: 5u' selective gold on contact
  - 2: 10u' selective gold on contact
  - 3: 15u' selective gold on contact
  - 4: 30u' selective gold on contact
  - 5: 50u' selective gold on contact
  - 6: Gold Flash full gold(standard)
  - 7: Tin plated
- c. Terminal Type
  - 0: 180° Dip type
  - 1: 90° Dip type
  - 2: SMT type
  - 3: IDC type
- d. Insulator Color
  - 0: Black(standard)
  - 1: Gray
  - 2: White
- e. Type
  - 0: Dip type
  - 1: IDC type(W/D insulator support)
  - 2: SMT type
  - 3: IDC type(With insulator support)
- f. Insulator Material
  - 1: PBT
  - 2: Nylon 6T
  - 3: Nylon 9T

DO NOT SCALE DRAWING

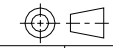
DIMENSIONS:  
 MM [INCH]    INCH [mm]    MM ONLY

UNLESS OTHERWISE SPECIFIED,  
GENERAL TOLERANCE:  
 DECIMALS      ANGLES  
 X: ±0.38 [0.015]   X° ±3°  
 .X ±0.25 [0.010]   .X° ±1.0°  
 .XX ±0.13 [0.005]

MATERIAL  
FINISH

CAD GENERATED DRAWING,  
DO NOT MANUALLY UPDATE  
DRAWN BY AND DATE  
JUSTIN XING 03-21-08

CHECKED BY AND DATE  
JUSTIN XING 07-03-06  
APPROVED BY AND DATE  
MICHAEL HUANG 03-21-08  
THIRD ANGLE PROJECTION



SCALE: 2:1      SIZE: A3



**Y-S ELECTRONIC CO., LTD.**  
No. 101, Sec. 1, Long-An Street,  
Lu-Chu, Taoyuan, Taiwan, R.O.C.  
TEL: +886-3-3609819 FAX: +886-3-3609817

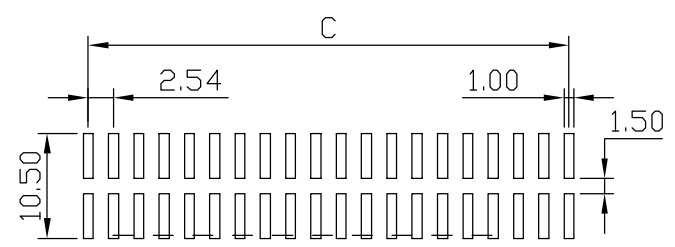
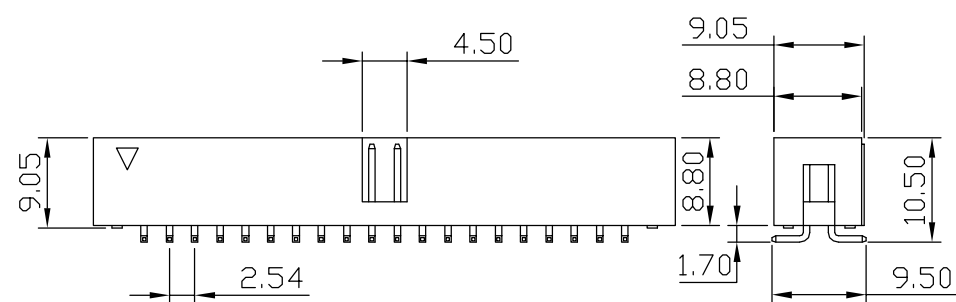
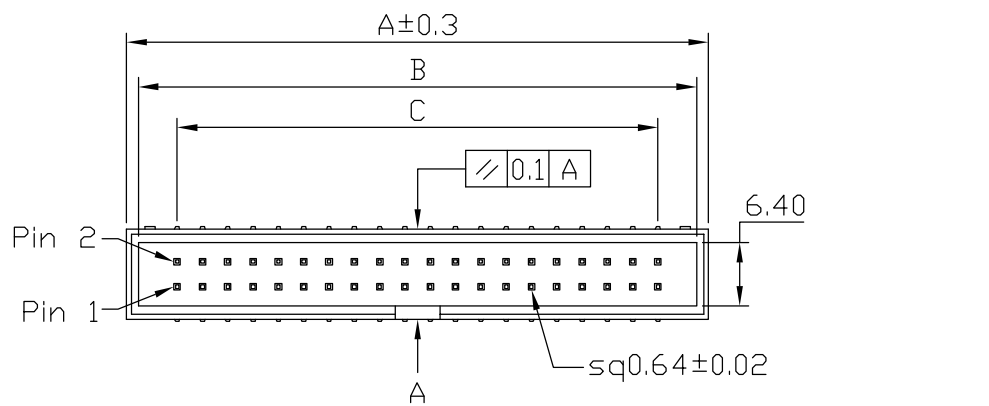
TITLE  
118 SERIES  
BOX HEADER 2.54MM (0.100")

DRAWING NO. 118-XXXXXXX      REV A  
FILE NO.      SHEET 2 OF 3

THE INFORMATION CONTAINED IN THIS DOCUMENT IS PROPRIETARY TO Y-S ELECTRONIC. ANY REPRODUCTION IN PART OR WHOLE WITHOUT PRIOR WRITTEN APPROVAL OR AUTHORIZATION OF Y-S ELECTRONIC IS STRICTLY PROHIBITED.

RoHS COMPLIANT

REVISIONS				
REV	ECN NO.	DESCRIPTION	APPROVED BY	DATE



BOX HEADER 2.54\*2.54mm SMT TYPE  
Recommended P.C.B Layout

Product Specification

Material

Insulator :Glass-Filled Thermoplastic  
UL94V-0 rates  
Contact :Brass

Electrical

Contact Resistance :20 milliohms  
Max at 1 AMP DC.  
Insulation Resistance :5000  
magohms at 500 VDC  
Dielectric Withstanding Voltage :  
500 VAC/rms 60Hz for 1 minute  
Current Rating :1 AMP  
Volatge Rating :250 VAC/rms 60Hz

SpecialType

POLES	DIM A	DIM B	DIM C
: 6	12.66	10.26	5.08
6	15.20	12.80	5.08
: 8	15.20	12.80	7.62
8	17.78	15.48	7.62
10	20.30	18.10	10.16
12	22.84	20.44	12.70
14	25.38	22.98	15.24
16	27.92	25.52	17.78
20	33.00	30.60	22.86
24	38.08	35.68	27.94
26	40.62	38.22	30.48
30	45.70	43.30	35.56
34	50.80	48.40	40.64
40	58.40	56.00	48.26
44	63.48	61.20	53.34
50	71.10	68.70	60.96
56	78.72	76.32	68.58
60	83.80	81.40	73.66
64	88.88	86.68	78.74

Ordering Information

118 -  $\frac{XX}{a} \frac{X}{b} \frac{X}{c} \frac{X}{d} \frac{X}{e} \frac{X}{f}$

- a. No. Of Pins
- b. Contact Plating
  - 0: Gold flash selective gold
  - 1: 5u' selective gold on contact
  - 2: 10u' selective gold on contact
  - 3: 15u' selective gold on contact
  - 4: 30u' selective gold on contact
  - 5: 50u' selective gold on contact
  - 6: Gold Flash full gold(standard)
  - 7: Tin plated
- c. Terminal Type
  - 0: 180° Dip type
  - 1: 90° Dip type
  - 2: SMT type
  - 3: IDC type
- d. Insulator Color
  - 0: Black(standard)
  - 1: Gray
  - 2: White
- e. Type
  - 0: Dip type
  - 1: IDC type(W/D insulator support)
  - 2: SMT type
  - 3: IDC type(With insulator support)
- f. Insulator Material
  - 1: PBT
  - 2: Nylon 6T
  - 3: Nylon 9T

DO NOT SCALE DRAWING

DIMENSIONS: <input type="checkbox"/> MM [INCH] <input type="checkbox"/> INCH [mm] <input checked="" type="checkbox"/> MM ONLY	CAD GENERATED DRAWING, DO NOT MANUALLY UPDATE	Y-S ELECTRONIC CO., LTD. No. 101, Sec. 1, Long-An Street, Lu-Chu, Taoyuan, Taiwan, R.O.C. TEL: +886-3-3609819 FAX: +886-3-3609817	
	UNLESS OTHERWISE SPECIFIED, GENERAL TOLERANCE: DECIMALS      ANGLES X: ±0.38 [0.015]   X° ±3° .X ±0.25 [0.010]   .X° ±1.0° .XX ±0.13 [0.005]		CHECKED BY AND DATE JUSTIN XING 07-03-06 APPROVED BY AND DATE MICHAEL HUANG 03-21-08 THIRD ANGLE PROJECTION
MATERIAL		DRAWING NO. 118-XXXXXXX	REV A
FINISH	SCALE: 2 : 1      SIZE: A3	FILE NO.:	SHEET 3 OF 3